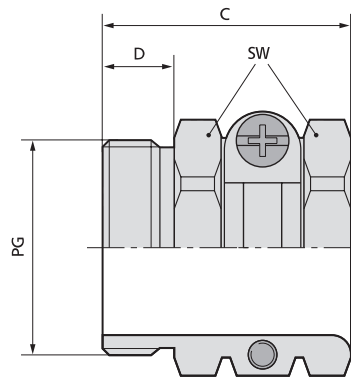


SKINDICHT® SH



SKINDICHT® SH

Benefits

- Seawater-resistant
- Anti-magnetic
- Corrosion resistant
- Stable and safe strain relief

Application range

- Extremely robust and solid strain relief cable gland.
- Building sites
- Plant engineering

- Drives

Approvals (Norm references)



Design

- PG connection thread

Note

- Counter nut to be used SKINDICHT® SM

Technical data

Caution
Installation dimensions see Appendix T21

On request
Available with long connection thread

Material
Body: Nickel plated brass

Degree of protection
IP 20

Part number	Part designation / size	Clamping range ØF mm	SW mm	Max. fitting size for installation in mm	Overall length C mm	Thread length D mm	Pieces / PU
SKINDICHT® SH							
52000830	SH 7	8 - 10	15	22	17.5	5.5	50
52000840	SH 9	10 - 12,5	17	25	20.5	6.0	50
52000850	SH 11	11 - 15	20	28	21.5	6.0	50
52000860	SH 13,5	14 - 16,5	22	32	24.0	7.5	25
52000870	SH 16	15 - 18	24	35	26.0	7.5	25
52000880	SH 21	18 - 23,5	30	46	29.0	8.0	25
52000890	SH 29	23 - 31	41	58	33.0	8.0	10
52000900	SH 36	29 - 40,5	50	70	36.5	9.5	10
52000910	SH 42	34 - 45	57	78	38.0	10.0	5
52000920	SH 48	39 - 50	64	86	39.5	11.5	5

ÖLFLEX®
UNITRONIC®
ETHERLINE®
HITRONIC®
EPIC®
SKINTOP®
SILVYN®
FLEXIMARK®
ACCESSORIES
APPENDIX